

INTRODUCTION

Aftek SpyGuard provides affordable and convenient security solution for home or small office establishments. It monitors activities by making use of a door switch or motion detector and captures video clips and images when it detects any activity in its monitored area. Additionally, it can also send SMS text messages and start alarm if authentication is not confirmed within specific time by entering a PIN (Personal Identification Number). Aftek SpyGuard has an easy to use remote control for operating the system and it comes with built-in battery back up to ensure that your home or office is secured even in power outage.

It's simple, easy and gets going within minutes! Once installed, you can leave security of your home to Aftek SpyGuard and be relaxed while you are away.

FEATURES

- Captures video clips and images when any activity is detected in vigilance area.
- Sounds hooter or alarm on intrusion.
- Sends SMS to preconfigured contacts to notify about intrusion.
- A silent alarm feature to protect you from hijack situation.
- Notifies you through SMS when your loved ones reach home.
- Simple and convenient user interface through remote control.
- Internal battery back for up to 30 video clips captures of 15 seconds.

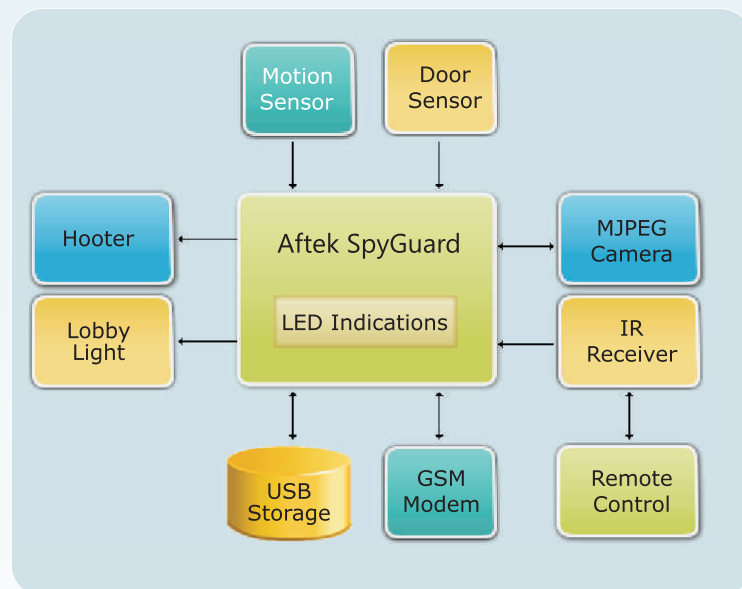
EXPERTISE

- Porting of embedded Linux on SBC2410 ARM based processor
- Interfaces for MJPEG integration, IR interface, GPIO
- Handling of GSM communication
- Encapsulating MJPEG data to well known AVI container to ensure compatibility with standard media players

TECHNICAL DETAILS:

- Motion sensors: PIR.
- Camera: 0.3 Mega pixel MJPEG camera supporting VGA and QVGA resolutions with visible range around 15 feet.
- Storage: USB 1.1.
- Visual indications: Multicolor LEDs on front panel.
- Battery: Lithium Polyester.

ARCHITECTURE



SYSTEM OPERATION

- ▶ Aftek SpyGuard gets triggered when an activity is detected by door switch or motion detector.
- ▶ Supports both wired and wireless sensors.
- ▶ Aftek SpyGuard is equipped with tamper detection mechanism and raises alarm if someone attempts tampering with the device.
- ▶ Depending on its current mode (armed/dis-armed) it starts MJPEG camera and captures a video clip. While capturing video clip, Aftek SpyGuard also manages clip storage space. If sufficient space is not available for new clips then oldest clips are deleted to make room for recent clips.
- ▶ For better video clip quality it can optionally start a lobby or room light when any of the sensors get triggered.
- ▶ Provides a PIN request indication by means of beeps. If correct PIN is entered within stipulated time frame, Aftek SpyGuard does not consider the situation as intrusion. Aftek SpyGuard stores multiple PINs for multiple users, thus keeping track of user who suppressed the event.
- ▶ In absence of correct PIN, Aftek SpyGuard takes various actions like sending SMS message; it can also sound a hooter for preconfigured time period to alert neighbors.
- ▶ User can operate Aftek SpyGuard (put it in armed or dis-armed mode, change PIN etc.) using a remote control. Various LED indications are provided on front panel to indicate current state and issues in system.
- ▶ Aftek SpyGuard also provides the self test mode, in this mode all the interfaces are checked for fault detection. Firmware/configuration of Aftek SpyGuard can be upgraded through USB pen drive.

Aftek Limited

50/24 Pralhad Arcade, Bhakti Marg, Off. Law College Road, Erandwane, Pune 411 004, India.

Telephone: +91 20 3024 0000 Telefax: +91 20 3024 0001

Email: servicesinfo@aftek.com Website: www.aftek.com